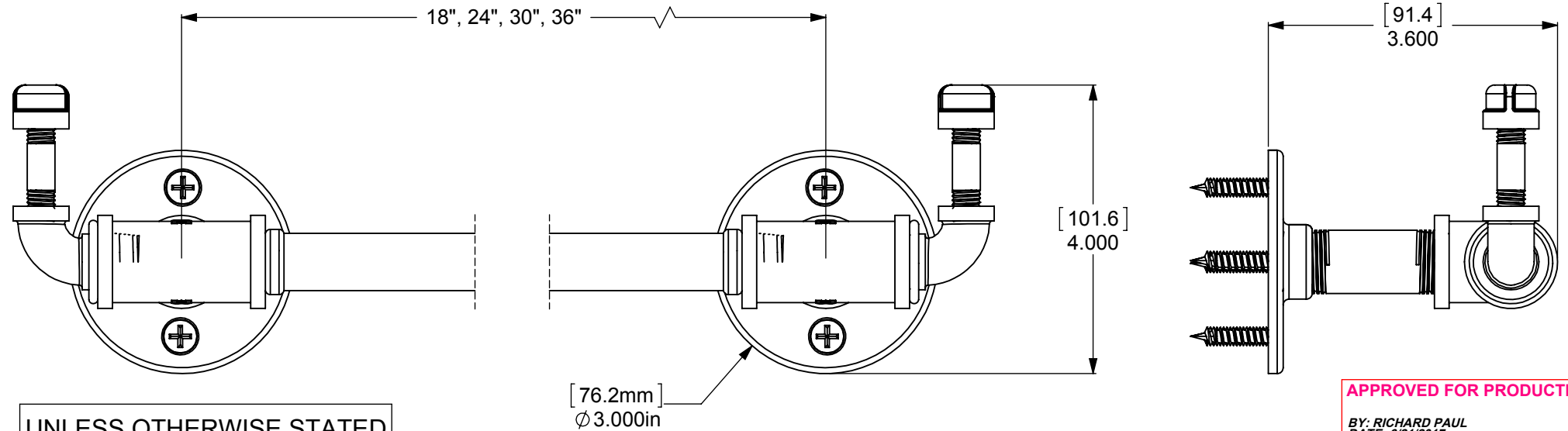
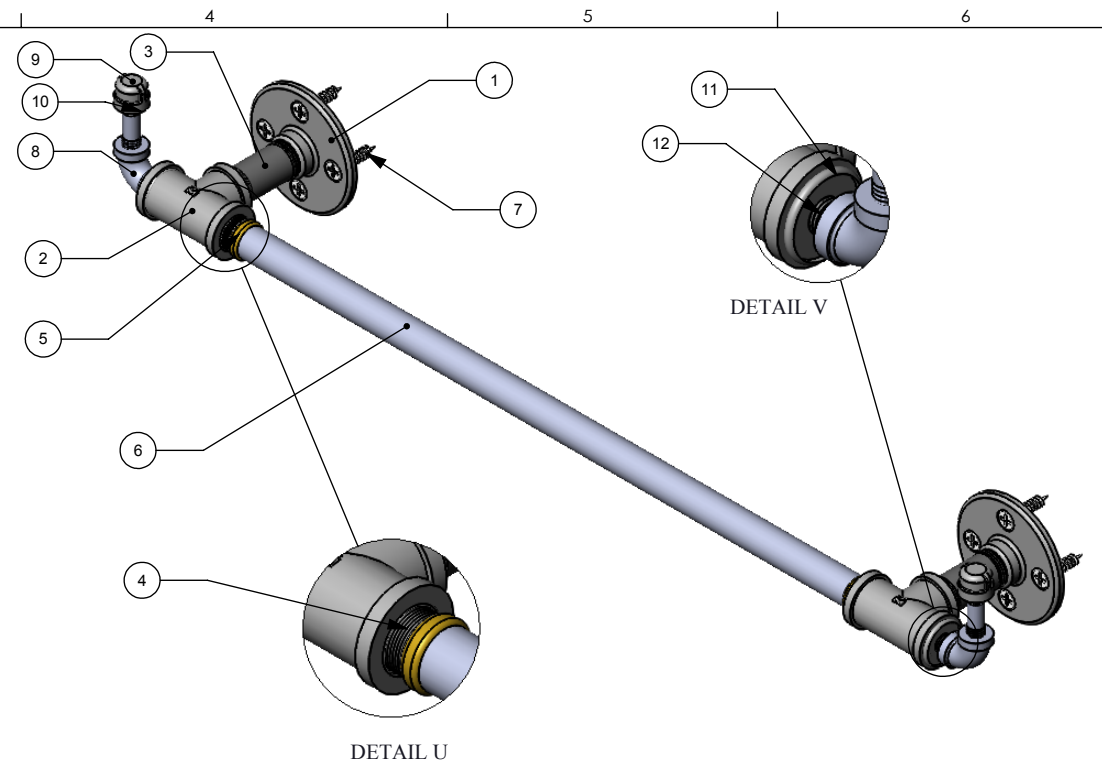


| ITEM NO. | PART NUMBER | DESCRIPTION | QTY. |
|----------|----------------|-------------------|------|
| 1 | PIPE-FL12-3 | 1/2" FLANGE | 2 |
| 2 | PIPE-TEE-12 | 1/2" TEE | 2 |
| 3 | PIPE-NIP12-2 | 1/2" 2" NIP | 2 |
| 4 | BUS-12X18 | 1/2" BUSHING | 2 |
| 5 | CRRD-34 | 3/4" CK RING | 2 |
| 6 | TU34 | TUBE | 1 |
| 7 | WOOD SCREW-12 | #12 WOOD SCREW | 8 |
| 8 | PIPE-EL14-45 | 1/4" 45 DEG.ELBOW | 2 |
| 9 | PIPE-CAP-14 | 1/4" CAP | 2 |
| 10 | PIPE-NIP14-1.5 | 1/4" 1 1/2" NIP | 2 |
| 11 | CRRD-1 | 1" CHECK RING | 2 |
| 12 | BUS-14X18 | 1/4" BUSHING | 2 |

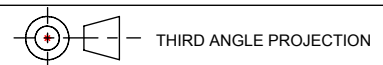


APPROVED FOR PRODUCTION
 BY: RICHARD PAUL
 DATE: 6/21/2017

UNLESS OTHERWISE STATED

| | |
|------|---------|
| .X | ±.3mm |
| .XX | ±.15mm |
| .XXX | ±.008mm |

COPYRIGHT © Allied Brass 2017



| | | |
|----------|-----------|-----|
| DRAWN | 6/17/2017 | I.M |
| CHECKED | 6/17/2017 | P.D |
| APPROVED | 6/17/2017 | R.A |

| | |
|--------------|---|
| MATERIAL: | BRASS |
| DESCRIPTION: | Pipeline Collection Towel Bar with Integrated Hooks |



| | |
|-------------|------------|
| FINISH | TBD |
| QUANTITY | TBD |
| DRAWING No. | P-250-TBHK |
| REV | 0 |
| SCALE | 1:2 |
| SHEET: 01 | A4 |